

»FUTURA« series

Pneumatic systems or parts of systems can be switched on and off by means of an pneumatic signal.  
3/2-way type including silencer.  
When they are switched off, the system is exhausted at the same time.

Max. input pressure	16 bar
Temperature range	-10 °C to 50 °C
Medium	Compressed air, neutral gases
Housing	PA66 GF60
Connecting thread	Material: Die-cast zinc
Flow rate measurement	At P <sub>2</sub> = 6 bar and pressure drop Δ <sub>p</sub> = 1 bar

### 3/2-way valve pneumatically operated

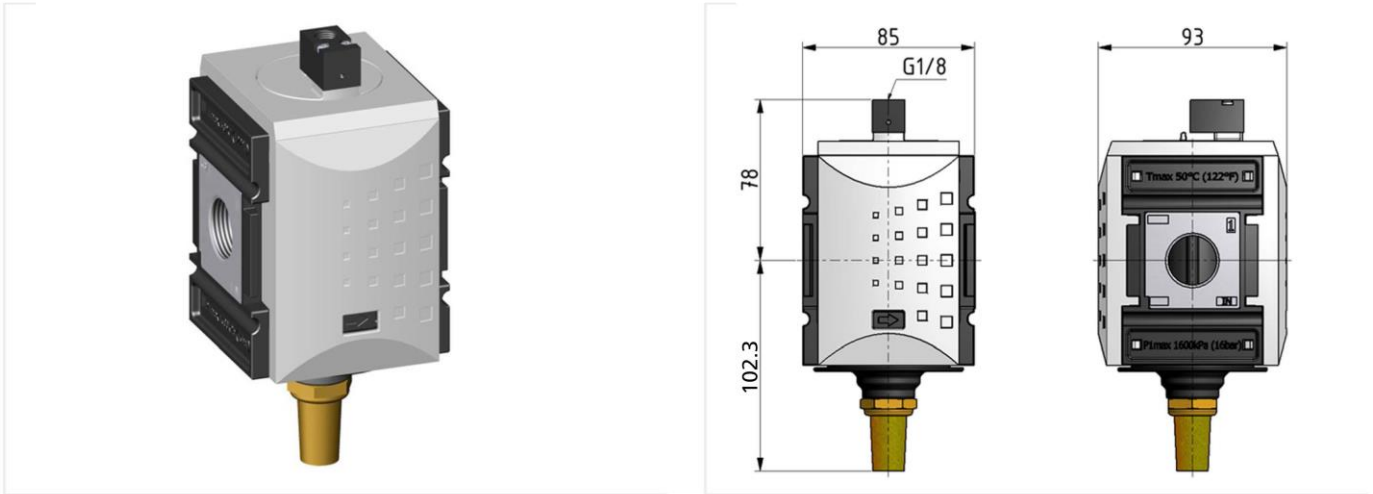
Art. No.	Type No.	Thread	Size	Exhaust air	Flow rate l/min
156618	FU 979-137	G 3/4	4	G 1/2	12500
156619	FU 980-137	G 1	4	G 1/2	12500

### Accessories / Spare parts

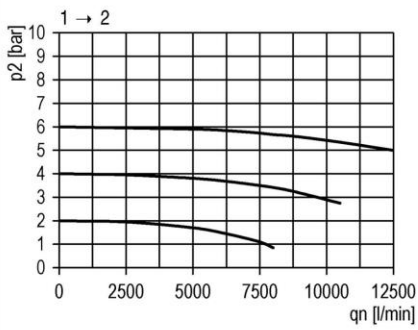
Art. No.	Type No.	Description
100048	H 854	Mounting bracket, incl. 2 screws
100049	WK 103	Wall bracket, incl. 2 screws
100050	KP 300	Joiner set, incl. 2 screws
100293	567-5/M	Silencer, sintered bronze, with brass hexagon nut and thread
135853	WK 104-34	Wall bracket with connection thread G 3/4
135854	WK 104-1	Wall bracket with connection thread G 1

**P 1-402 e**

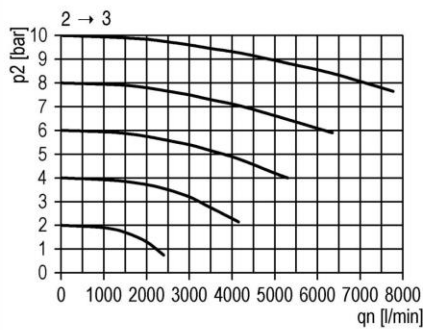
**3/2-way valve**  
 pneumatically operated  
 Art. No. 156618 and 156619



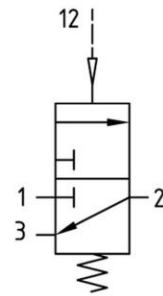
**flow characteristic**



**rear exhaust**



**symbol**



**pilot pressure**

